



# 雙軸破碎機 Twin Shredder

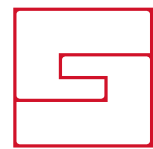
# YH Series

English

Reliable & Professional Recycle-Equipment Manufacturer.



詠興機械  
YUNG HSING MACHINE



詠固精密  
YUNG GU MACHINE

# YH Series

## Specification

YH Series Twin Shredder improves the disadvantages in traditional crusher to the high performance and heavy shredding. Especially for the unusual objects, bakelite, woods, wires & cables, rubbers, aluminum cans etc... By the strong twin shafts and cutters, it is easy to making the breaking-up function to the applications.

■ YH26 — p.3

■ YH32 — p.4

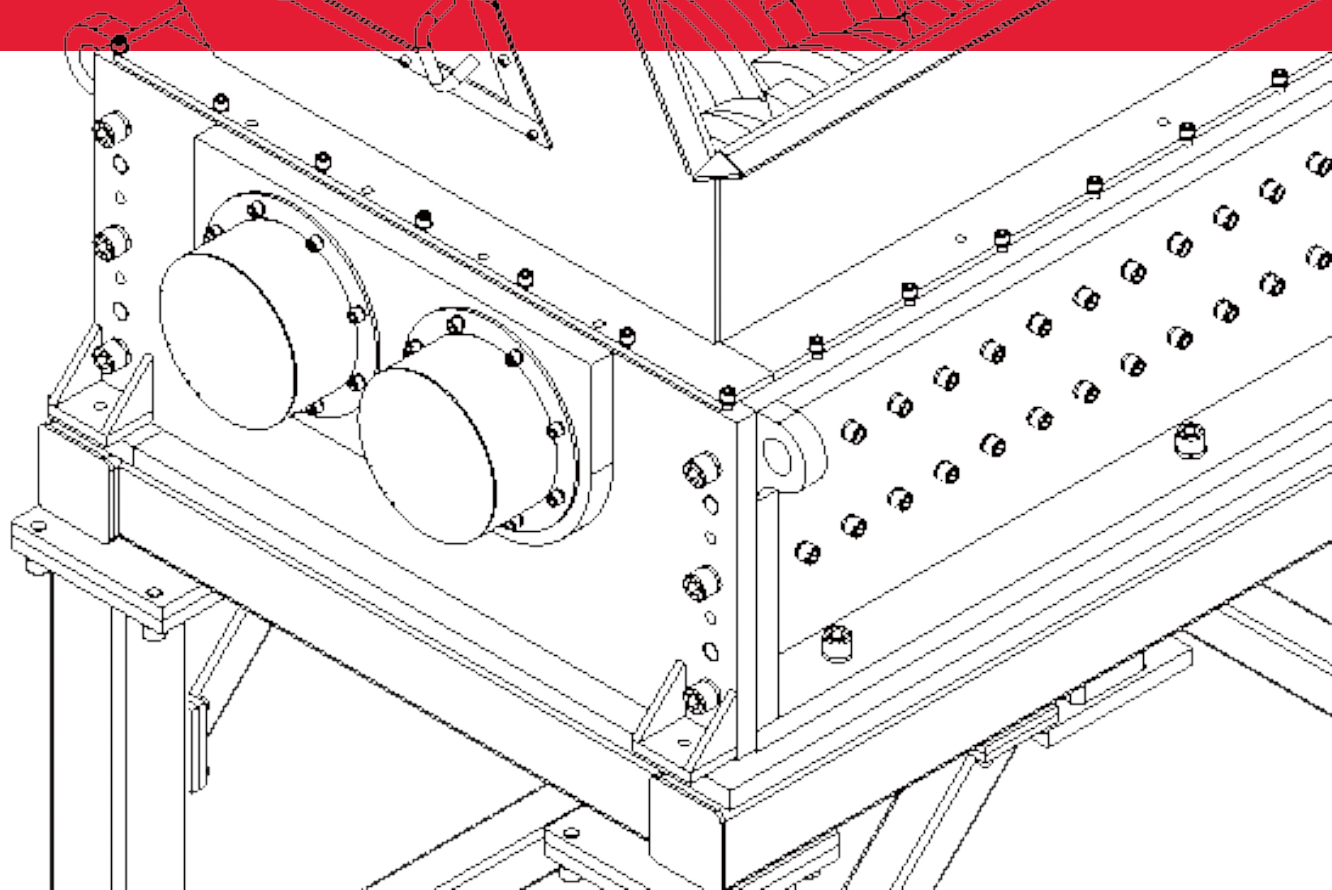
■ YH38 — p.5

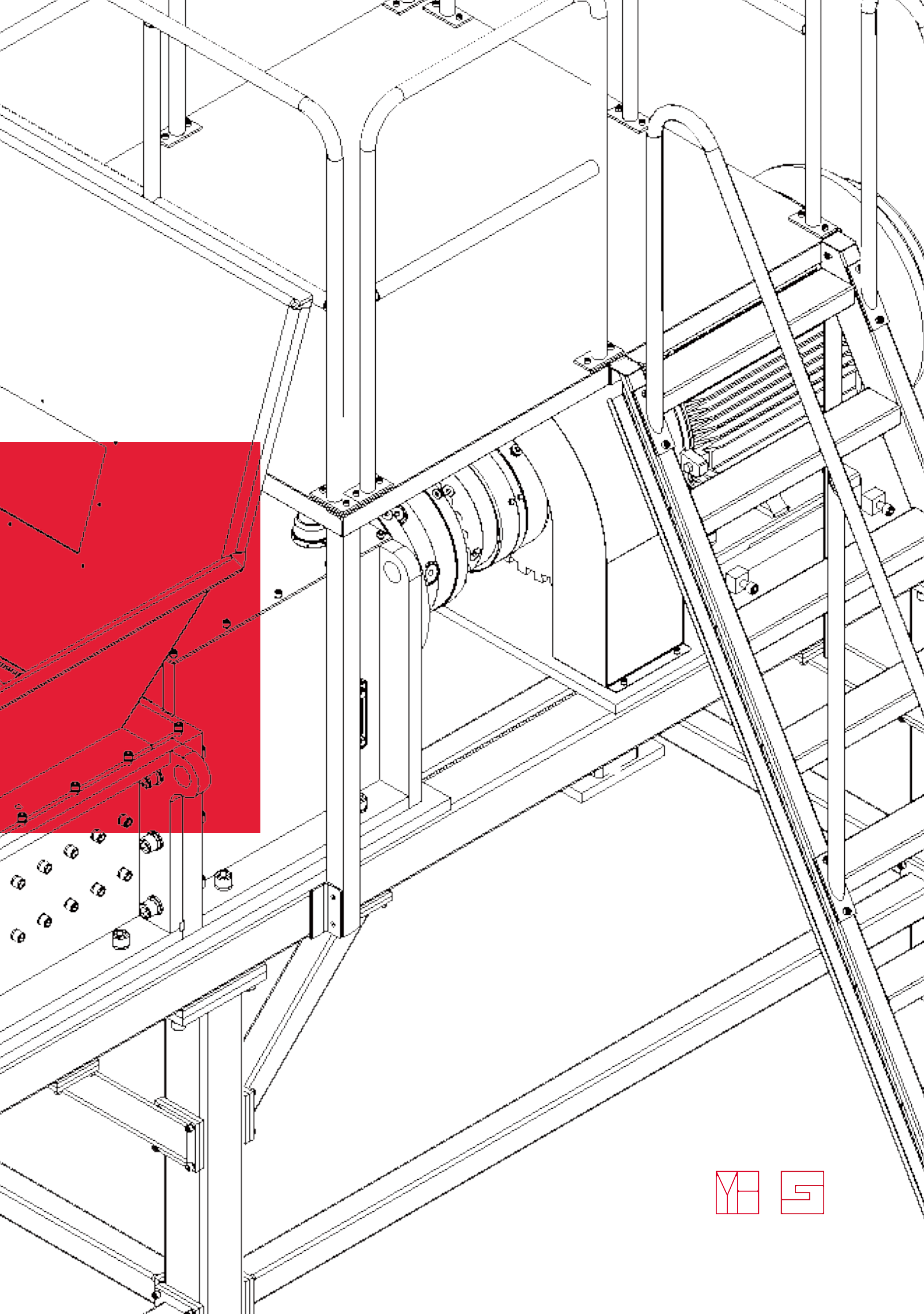
■ YH44 — p.6

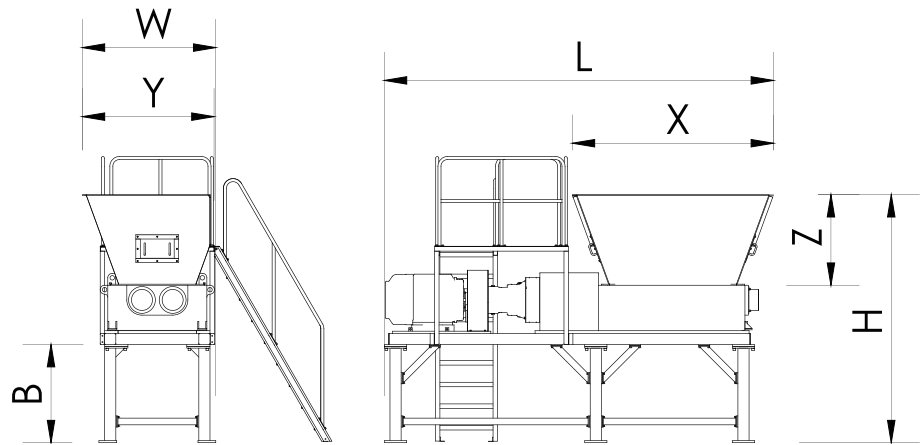
■ YH50 — p.7

■ YH56 — p.8

■ Shafts and cutters exploded view — p.9-10





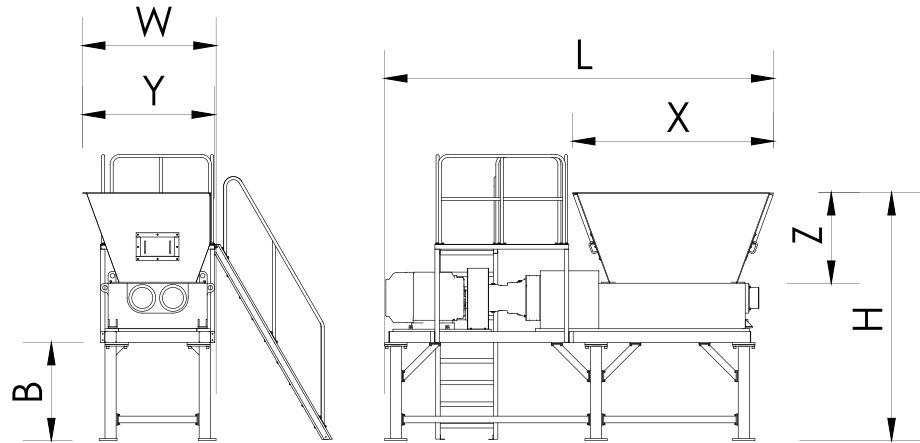


Model	YH-26060	YH-26075	YH-26090
Driver	Motor	Motor	Motor
Q't of motor	1	1	1
Total Power	20-25 HP(15-18kW)	25-30 HP(18-22kW)	30-40 HP(22-30kW)
Reduction Ratio	1:60	1:60	1:60
Diameter of Cutter	Φ 260 mm	Φ 260 mm	Φ 260 mm
Material of Cutter	4140	4140	4140
Diameter of Shaft	○100 mm (Hexagonal)	○100 mm (Hexagonal)	○100 mm (Hexagonal)
Thickness of Cutter	20-35 mm	20-50 mm	20-50 mm
Claw Length	22.5 mm	22.5 mm	22.5 mm
Chamber size	610x520x360 mm	760x520x360 mm	910x520x360 mm
Dimension(L*W*H)	2760x1050x2300 mm	2910x1050x2300 mm	3060x1050x2300 mm
Hopper(X*Y*Z)	1300x1050x800 mm	1450x1050x800 mm	1600x1050x800 mm
Discharging Height(B)	1000 mm	1000 mm	1000 mm
Weight	2275 kg	2420 kg	2565 kg

- The electrical control box is PLC design.
- Voltage of motor is apply to local voltage.
- The above are standard specification, YungHsing reserves the right to change these specifications without notice.
- For different industry , the design and specification might be modified. Need to refer to the design flowchart for the final specification.
- For other customization and information, please feel free to contact us.



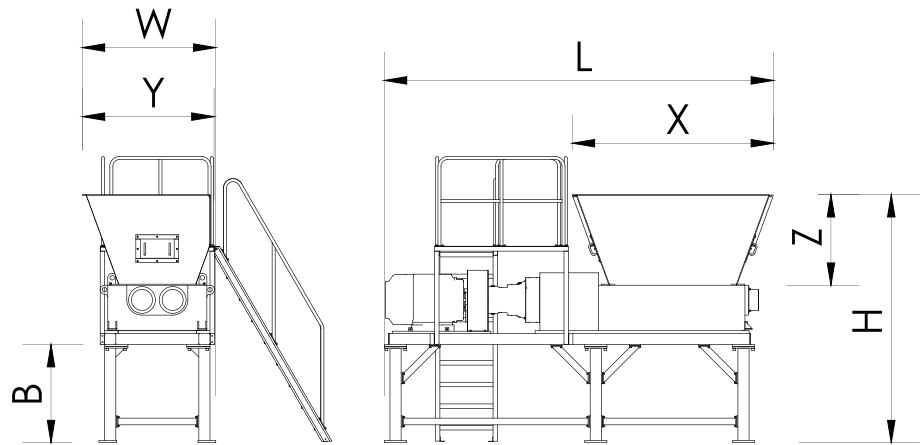




Model	YH-32075	YH-32090	YH-32105
Driver	Motor	Motor	Motor
Q't of motor	1	1	1
Total Power	30-40 HP(22-30kW)	40-50 HP(30-37kW)	50-60 HP(37-45kW)
Reduction Ratio	1:60	1:60	1:60
Diameter of Cutter	Φ 320 mm	Φ 320 mm	Φ 320 mm
Material of Cutter	4140	4140	4140
Diameter of Shaft	○115 mm (Hexagonal)	○115 mm (Hexagonal)	○115 mm (Hexagonal)
Thickness of Cutter	20-50 mm	20-50 mm	20-50 mm
Claw Length	35 mm	35 mm	35 mm
Chamber size	760x620x430 mm	910x620x430 mm	1060x620x430 mm
Dimension(L*W*H)	3160x1190x2470 mm	3310x1190x2470 mm	3460x1190x2470 mm
Hopper(X*Y*Z)	1530x1190x900 mm	1680x1190x900 mm	1830x1190x900 mm
Discharging Height(B)	1000 mm	1000 mm	1000 mm
Weight	3260 kg	3460 kg	3660 kg

- The electrical control box is PLC design.
- Voltage of motor is apply to local voltage.
- The above are standard specification, YungHsing reserves the right to change these specifications without notice.
- For different industry , the design and specification might be modified. Need to refer to the design flowchart for the final specification.
- For other customization and information, please feel free to contact us.

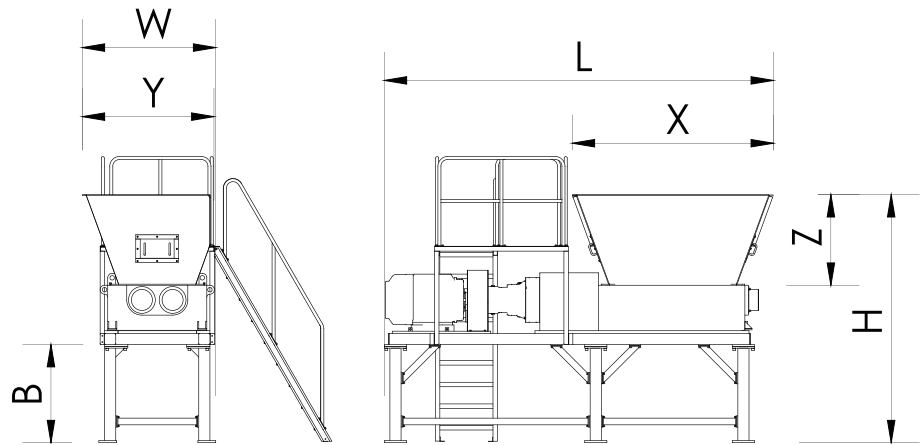




Model	YH-38100	YH-38120	YH-38130
Driver	Motor	Motor	Motor
Q't of motor	1	1	1
Total Power	60-75 HP(37-55kW)	75-100 HP(55-75kW)	75-100 HP(55-75kW)
Reduction Ratio	1:60	1:60	1:60
Diameter of Cutter	Φ 380 mm	Φ 380 mm	Φ 380 mm
Material of Cutter	4140	4140	4140
Diameter of Shaft	○130 mm (Hexagonal)	○130 mm (Hexagonal)	○130 mm (Hexagonal)
Thickness of Cutter	30-50 mm	30-50 mm	30-50 mm
Claw Length	40 mm	40 mm	40 mm
Chamber size	1010x720x510 mm	1210x720x510 mm	1310x720x510 mm
Dimension(L*W*H)	3570x1150x2640 mm	3770x1150x2640 mm	3870x1150x2640 mm
Hopper(X*Y*Z)	1950x1345x1000 mm	2050x1345x1000 mm	2150x1345x1000 mm
Discharging Height(B)	1000 mm	1000 mm	1000 mm
Weight	4050 kg	4350 kg	4500 kg

- The electrical control box is PLC design.
- Voltage of motor is apply to local voltage.
- The above are standard specification, YungHsing reserves the right to change these specifications without notice.
- For different industry , the design and specification might be modified. Need to refer to the design flowchart for the final specification.
- For other customization and information, please feel free to contact us.

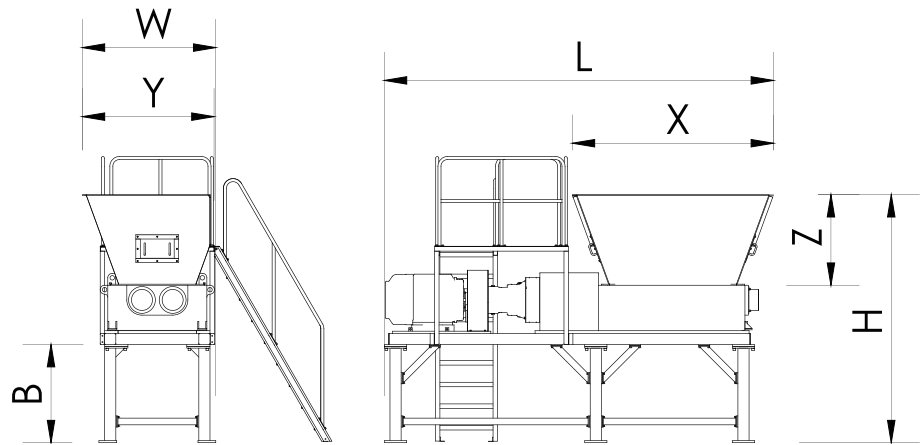




Model	YH-44100	YH-44120	YH-44140
Driver	Motor	Motor	Motor
Q't of motor	1	1	1
Total Power	75-100 HP(55-75kW)	100-125 HP(75-90kW)	100-150 HP(75-110kW)
Reduction Ratio	1:60	1:60	1:60
Diameter of Cutter	Φ 440 mm	Φ 440 mm	Φ 440 mm
Material of Cutter	4140	4140	4140
Diameter of Shaft	○145 mm (Hexagonal)	○145 mm (Hexagonal)	○145 mm (Hexagonal)
Thickness of Cutter	30-60 mm	30-60 mm	30-60 mm
Claw Length	42 mm	42 mm	42 mm
Chamber size	1014x850x640 mm	1214x850x640 mm	1414x850x640 mm
Dimension(L*W*H)	4060x1240x2700 mm	4260x1240x2700 mm	4460x1240x2700 mm
Hopper(X*Y*Z)	2050x1500x1000 mm	2150x1500x1000 mm	2250x1500x1000 mm
Discharging Height(B)	1000 mm	1000 mm	1000 mm
Weight	7010 kg	7490 kg	7970 kg

- The electrical control box is PLC design.
- Voltage of motor is apply to local voltage.
- The above are standard specification, YungHsing reserves the right to change these specifications without notice.
- For different industry , the design and specification might be modified. Need to refer to the design flowchart for the final specification.
- For other customization and information, please feel free to contact us.



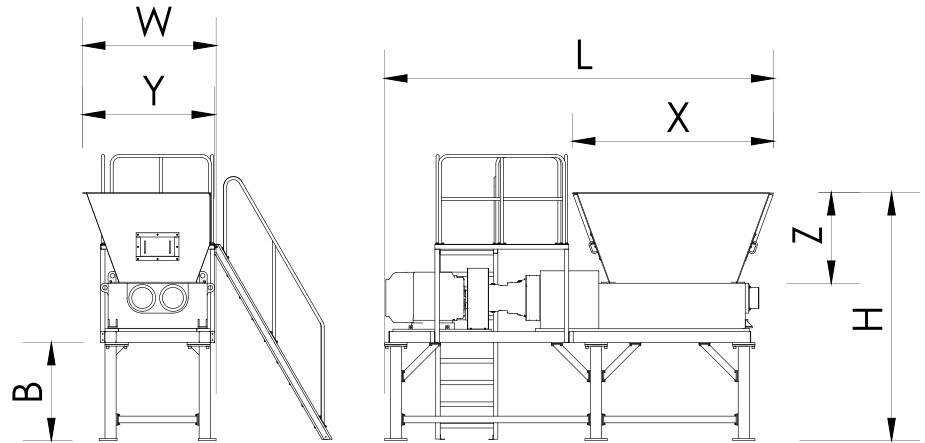


Model	YH-50120	YH-50140	YH-50160
Driver	Motor	Motor	Motor
Q't of motor	1	1	1
Total Power	100-125 HP(75-90kW)	100-150 HP(75-110kW)	125-150 HP(90-110kW)
Reduction Ratio	1:60	1:60	1:60
Diameter of Cutter	Φ 500 mm	Φ 500 mm	Φ 500 mm
Material of Cutter	4140	4140	4140
Diameter of Shaft	○160 mm (Hexagonal)	○160 mm (Hexagonal)	○160 mm (Hexagonal)
Thickness of Cutter	40-100 mm	40-100 mm	40-100 mm
Claw Length	50 mm	50 mm	50 mm
Chamber size	1210x1050x700 mm	1410x1050x700 mm	1610x1050x700 mm
Dimension(L*W*H)	4280x1560x2900 mm	4480x1560x2900 mm	4680x1560x2900 mm
Hopper(X*Y*Z)	2350x1675x1000 mm	2550x1675x1000 mm	2750x1675x1000 mm
Discharging Height(B)	1000 mm	1000 mm	1000 mm
Weight	9420 kg	10010 kg	10600 kg

- The electrical control box is PLC design.
- Voltage of motor is apply to local voltage.
- The above are standard specification, YungHsing reserves the right to change these specifications without notice.
- For different industry , the design and specification might be modified. Need to refer to the design flowchart for the final specification.
- For other customization and information, please feel free to contact us.







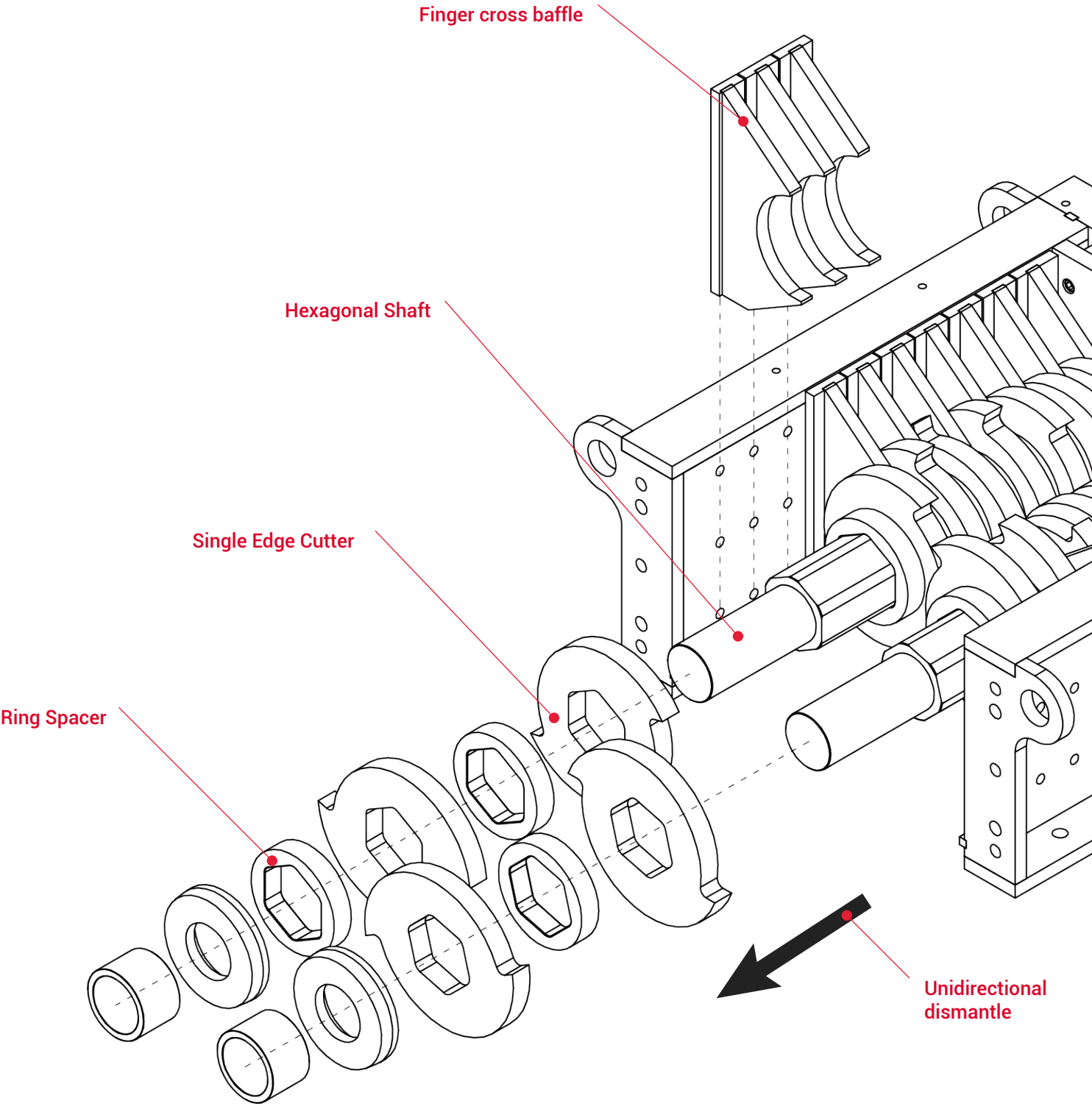
Model	YH-56140	YH-56160	YH-56180
Driver	Motor	Motor	Motor
Q't of motor	2	2	2
Motor Power	60-75 HP(45-55kW)	75-100 HP(55-75kW)	100-125 HP(75-90kW)
Total Power	120-150 HP(90-110kW)	150-200 HP(110-150kW)	200-250 HP(150-180kW)
Reduction Ratio	1:60	1:60	1:60
Diameter of Cutter	Φ 560 mm	Φ 560 mm	Φ 560 mm
Material of Cutter	4140	4140	4140
Diameter of Shaft	○180 mm (Hexagonal)	○180 mm (Hexagonal)	○180 mm (Hexagonal)
Thickness of Cutter	50-100 mm	50-100 mm	50-100 mm
Claw Length	50 mm	50 mm	50 mm
Chamber size	1410x1150x840 mm	1610x1150x840 mm	1810x1150x840 mm
Dimension(L*W*H)	4660x1960x3300 mm	4860x1960x3300 mm	5060x1960x3300 mm
Hopper(X*Y*Z)	2240x1860x1000 mm	2440x1860x1000 mm	2640x1860x1000 mm
Discharging Height(B)	1200 mm	1200 mm	1200 mm
Weight	14420 kg	15280 kg	16140 kg

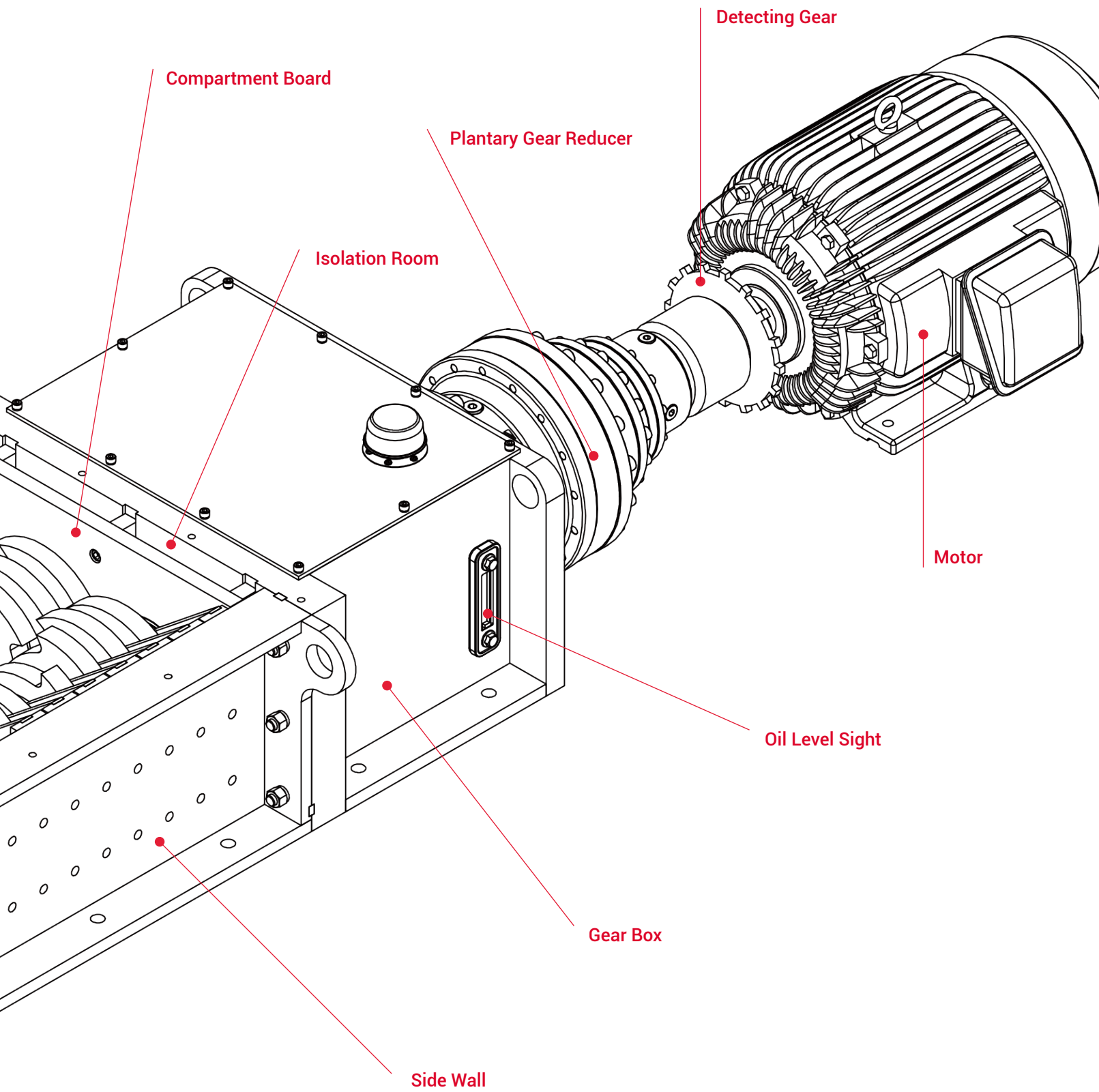
- The electrical control box is PLC design.
- Voltage of motor is apply to local voltage.
- The above are standard specification, YungHsing reserves the right to change these specifications without notice.
- For different industry , the design and specification might be modified. Need to refer to the design flowchart for the final specification.
- For other customization and information, please feel free to contact us.



# Shafts and cutters exploded view

YH Series Twin Shredder improves the disadvantages in traditional crusher to the high performance and heavy shredding. By the strong twin shafts and cutters, it is easy to making the breaking-up function to the applications. This is the exploded view of shafts and cutters, the feature is <Unidirectional dismantle>.



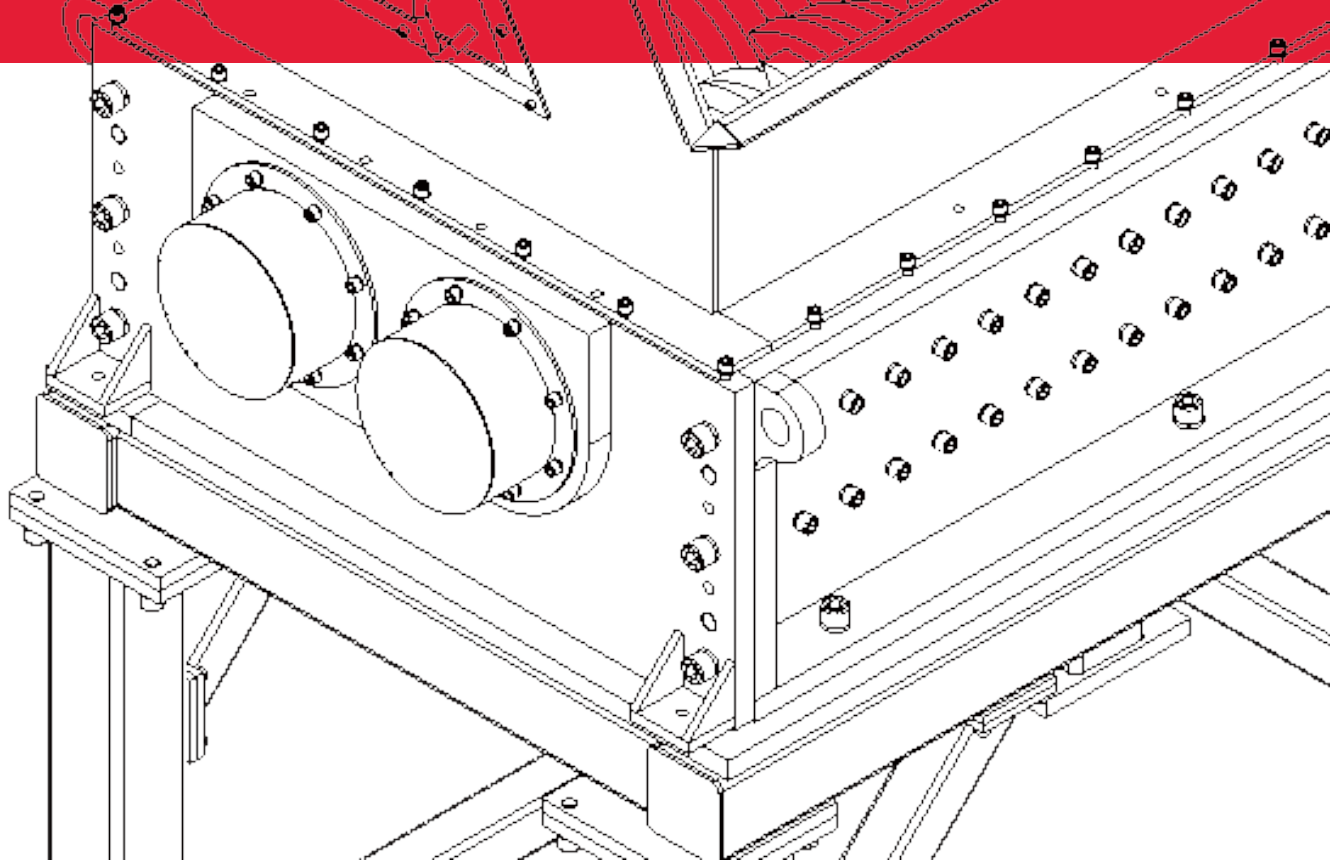


# YH Series

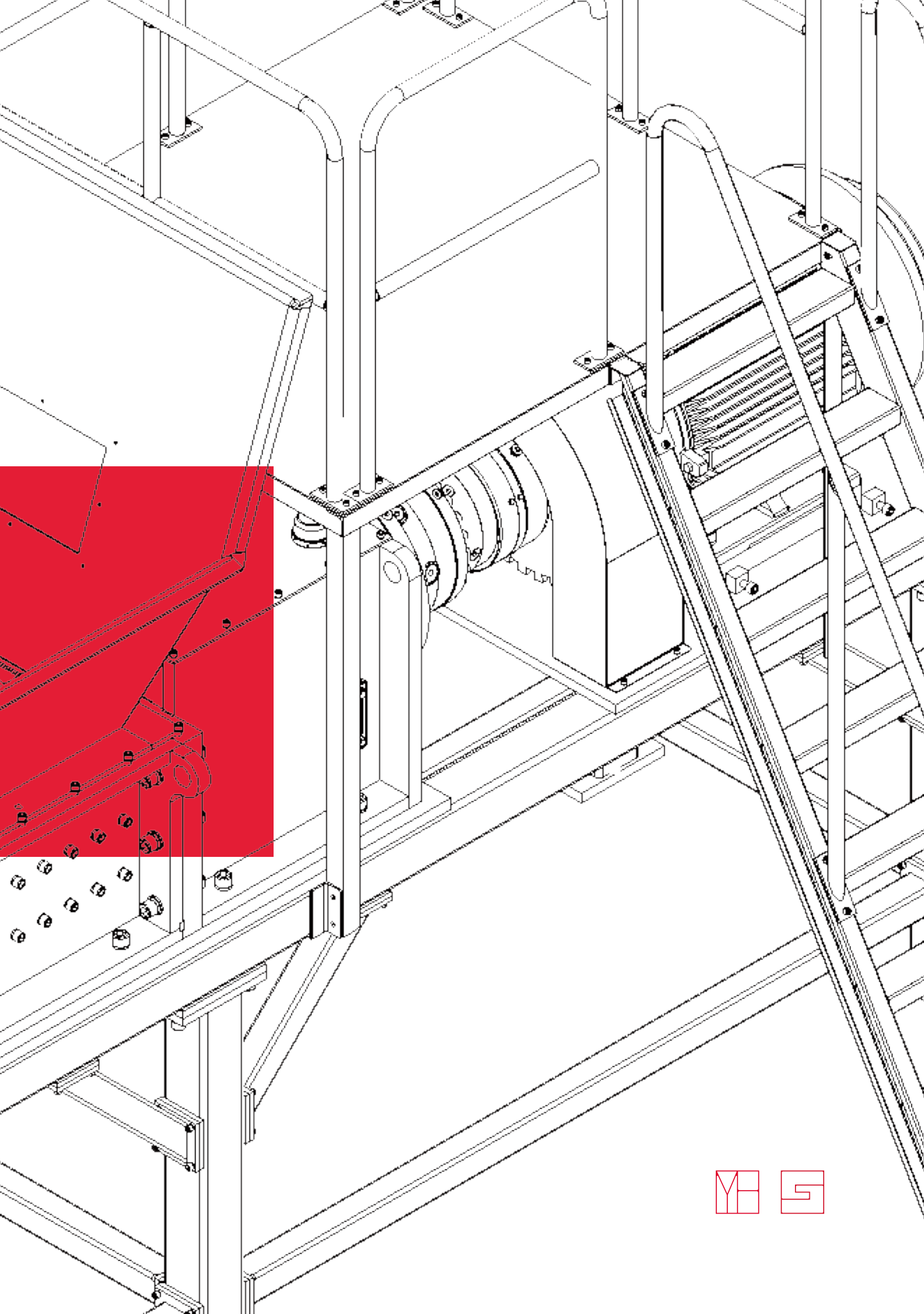
## Product features


YH Series Twin Shredder improves the disadvantages in traditional crusher to the high performance and heavy shredding. Especially for the unusual objects, bakelite, woods, wires & cables, rubbers, aluminum cans etc... By the strong twin shafts and cutters, it is easy to making the breaking-up function to the applications.

- Twin Shredder — p.13-14
- Product photos — p.15-16
- Reference photos — p.17-18












Twin shafts design \ Hexagonal shaft \ Multi- claws cutters are able to break up the application with the extremely shredding power.



Cutter is made of special alloy steel with the heat-treatment, durable, re-weldable, and easy to change piece-by-piece.



Power driving is from the motor connecting through the planetary gear to gear box, the advantage is low-speed, less dusting, high- torque, power-shredding.



The transmission gear is made of special alloy steel with the heat-treatment. Gear box is using oil bath lubrication which is smooth, low-noise, and long time working.



**TW  
SHRE  
FEATU**

# 8 MAIN REDUCER FEATURES



**5**

With the low-speed and high-torque, low-noise and less dusting, we provide a better working condition and improve the productivity.

**6**

On the both side of chamber room have the isolation room between of bearing. It can protect the damage of bearing from the foreign material during shredding.

**7**

Clamp plates, locking outer ring, and back-side plate are design to multi-locking and encure the cutters working functionally.

**8**

Without dismantling shaft, gear, reducer, and motor it can replace of cutters and space rings for the maintenance.



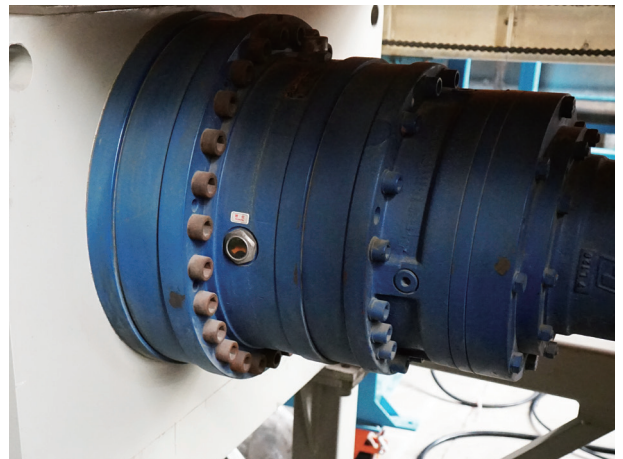




①



②



③





④

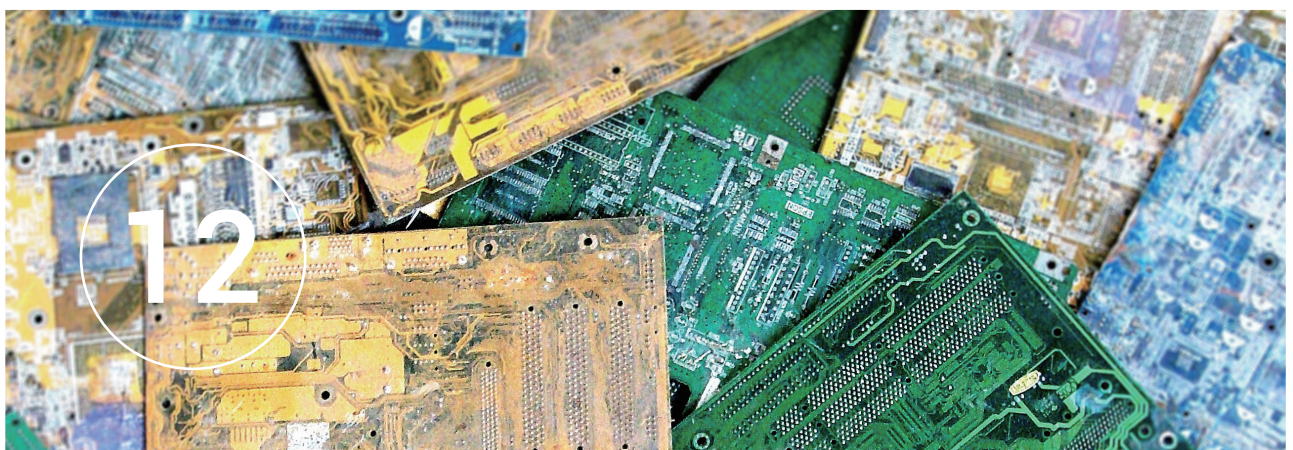
① 2 sets of shredding cutters

② Cutters \ Cross baffle

③ Planetary gear reducer

④ Twin shaft shredder styling

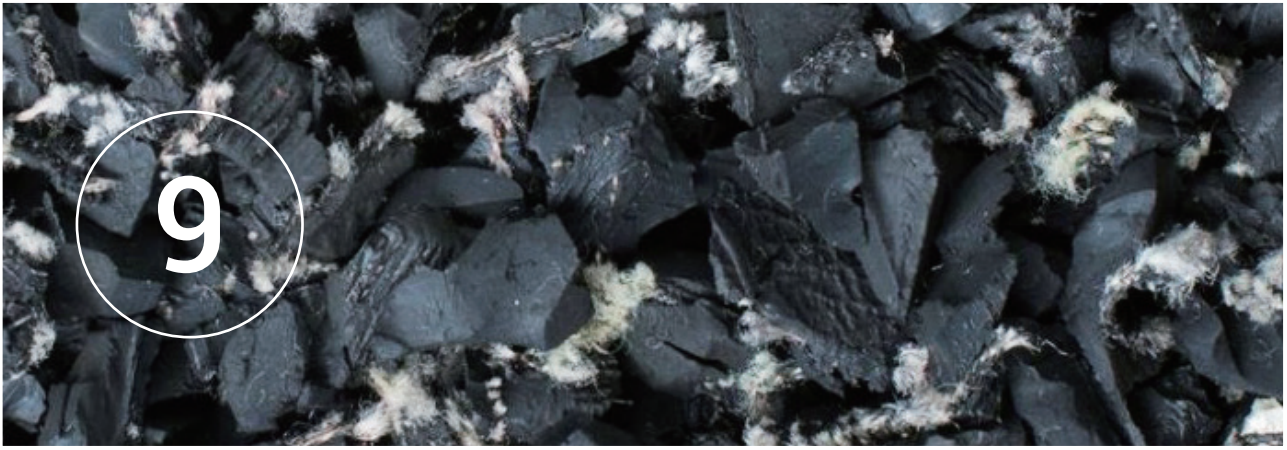




## Raws Materials

Reference photos





## Discharging product

Reference photos

⑨ Tires 、 Rubbers

⑪ Woods 、 Pallets

⑩ Cans 、 Tinplate

⑫ PCB Board

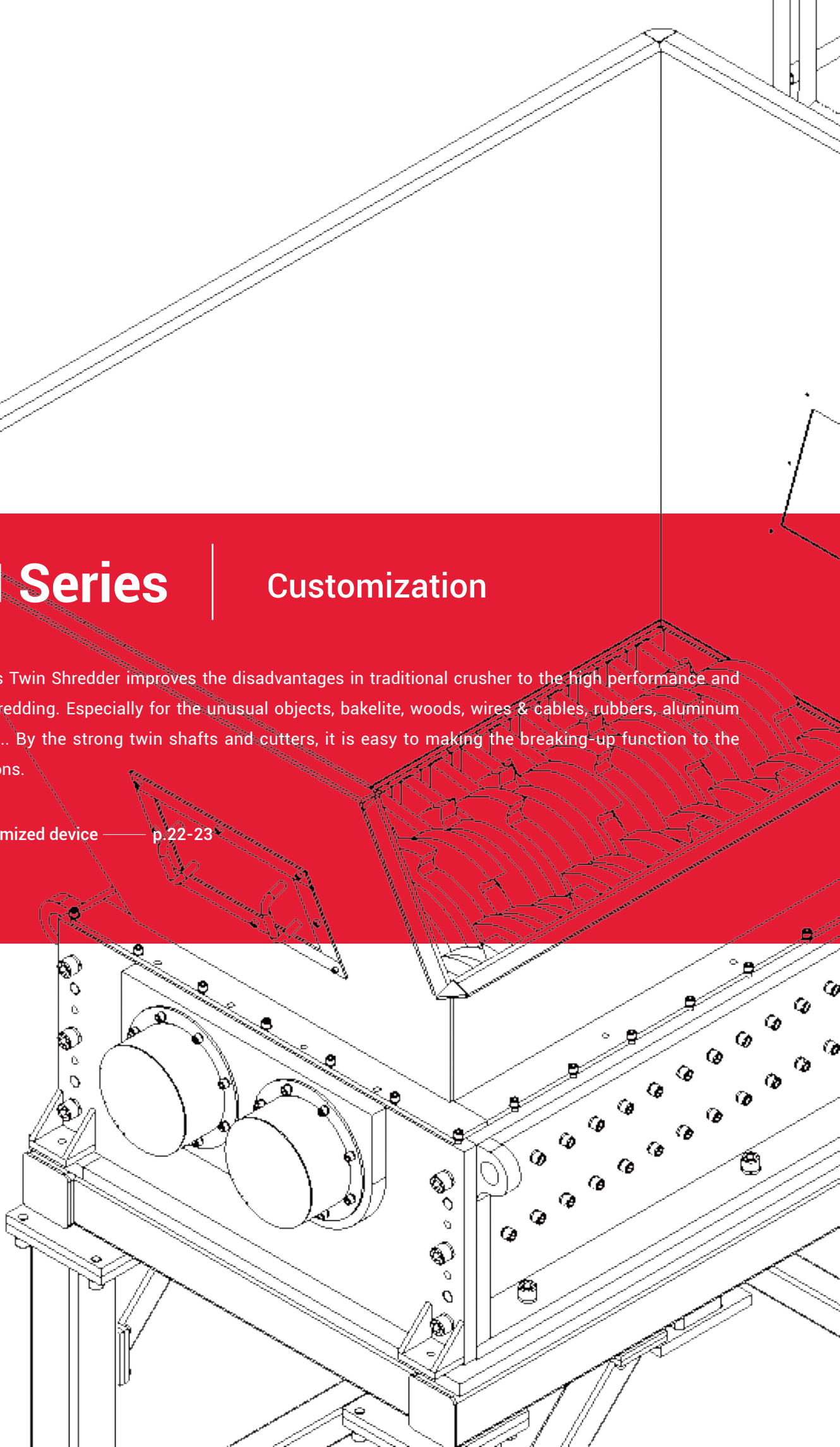


# YH Series

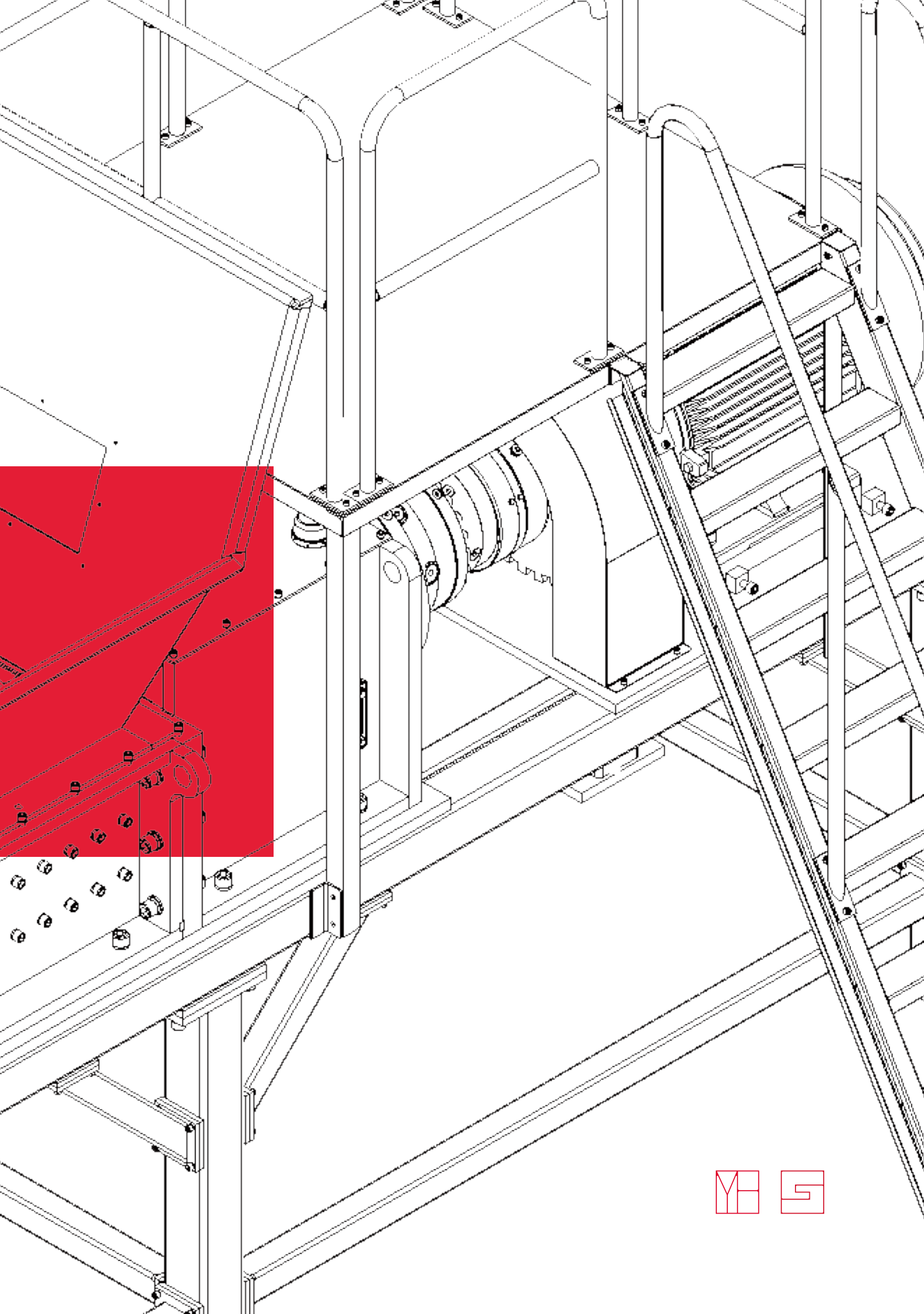
## Customization

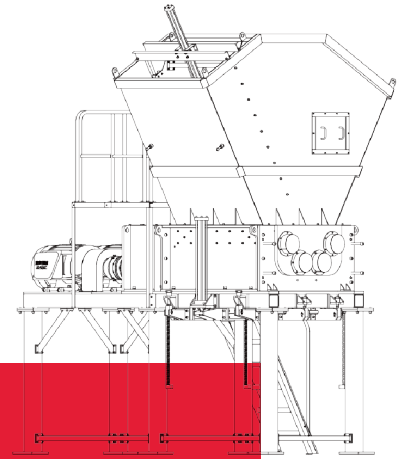
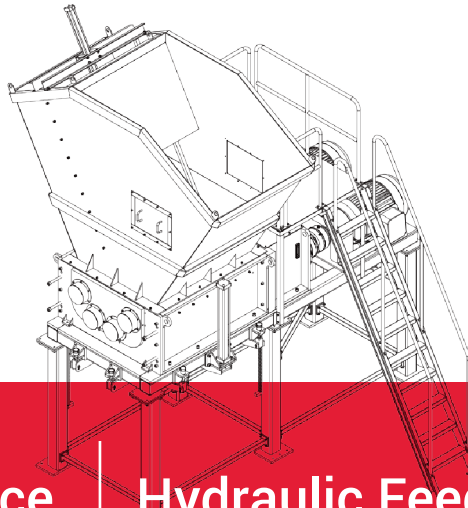
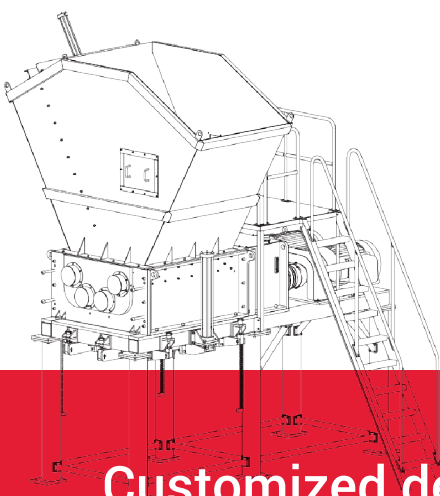
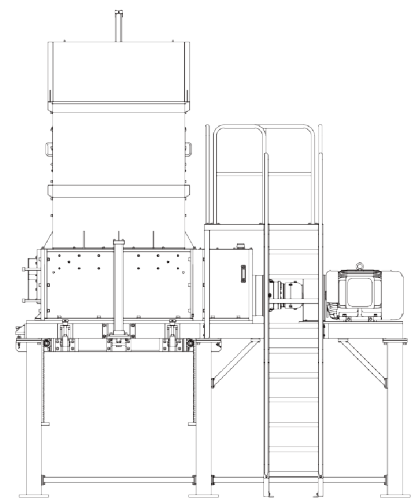
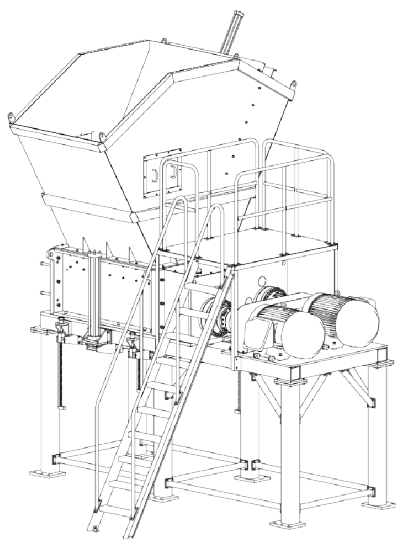
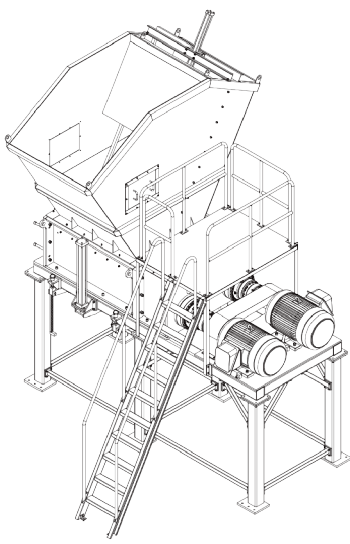
YH Series Twin Shredder improves the disadvantages in traditional crusher to the high performance and heavy shredding. Especially for the unusual objects, bakelite, woods, wires & cables, rubbers, aluminum cans etc... By the strong twin shafts and cutters, it is easy to making the breaking-up function to the applications.

- Customized device — p.22-23



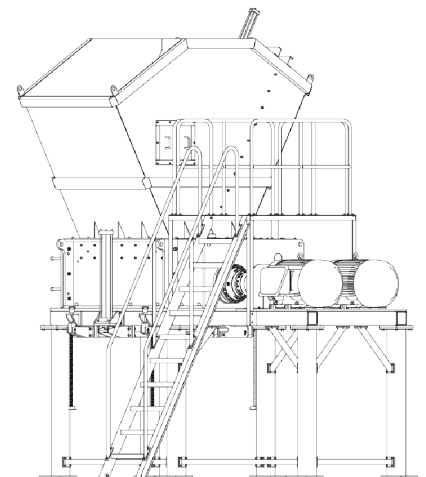
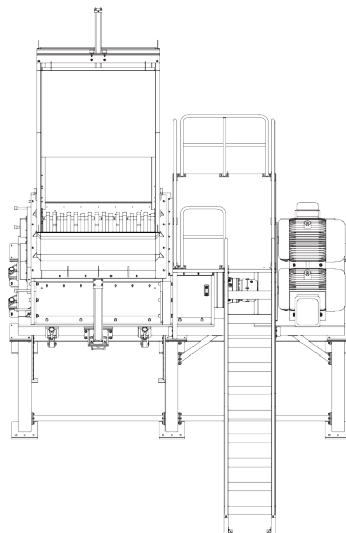
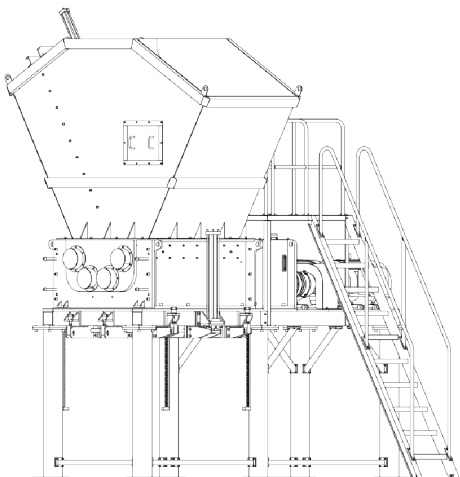
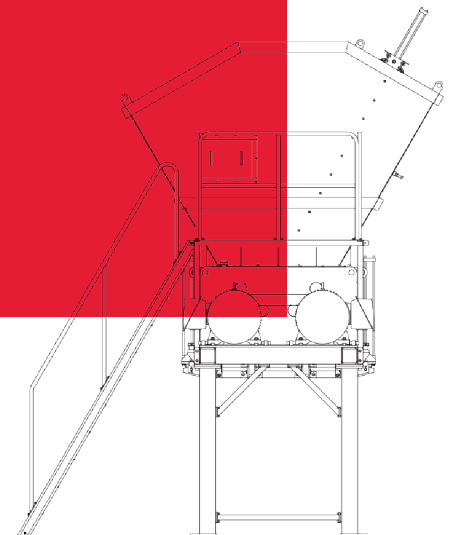
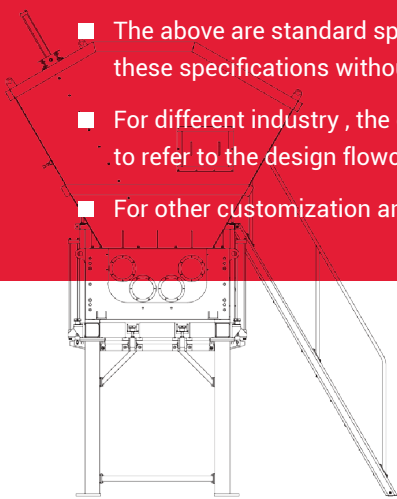






## Customized device | Hydraulic Feeding Hopper

- The above are standard specification, YungHsing reserves the right to change these specifications without notice.
- For different industry, the design and specification might be modified. Need to refer to the design flowchart for the final specification.
- For other customization and information, please feel free to contact us.



Model	YH-26060	YH-26075	YH-26090
Oil Cylinder	HOBΦ50-Φ30-1000ST-TC		
Power	3HP-4P-Φ3		
Pump Flow	15 L/MIN		
Pipe	3/8		
Stroke	800 mm		

Model	YH-32075	YH-32090	YH-32105
Oil Cylinder	HOBΦ50-Φ30-1000ST-TC		
Power	3HP-4P-Φ3		
Pump Flow	15 L/MIN		
Pipe	3/8		
Stroke	900 mm		

Model	YH-38100	YH-38120	YH-38130
Oil Cylinder	HOBΦ50-Φ30-1000ST-TC		
Power	3HP-4P-Φ3		
Pump Flow	15 L/MIN		
Pipe	3/8		
Stroke	1000 mm		

Model	YH-44100	YH-44120	YH-44140
Oil Cylinder	HOBΦ50-Φ30-1000ST-TC		
Power	3HP-4P-Φ3		
Pump Flow	15 L/MIN		
Pipe	3/8		
Stroke	1000 mm		

Model	YH-50120	YH-50140	YH-50160
Oil Cylinder	HOBΦ63-Φ35-1000ST-TC		
Power	5HP-4P-Φ3		
Pump Flow	30 L/MIN		
Pipe	3/8		
Stroke	1000 mm		

Model	YH-56140	YH-56160	YH-56180
Oil Cylinder	HOBΦ63-Φ35-1000ST-TC		
Power	5HP-4P-Φ3		
Pump Flow	30 L/MIN		
Pipe	3/8		
Stroke	1000 mm		



詠興機械工業有限公司 | 詠固精密機械有限公司

831 高雄市大寮區三隆里光華路 470 巷 196 號

No.196, Ln. 470, Guanghua Rd., Daliao Dist., Kaohsiung City 831, Taiwan

**Tel.** +886-7-7878275 **Fax.** +886-7-7883641 **Mobile.** +886-972-318-166 **Hot Line.** +886-7-7873262

**Mail.** yg.machine@hotmail.com (Domestic) yunghsingsh@gmail.com (International)

■ **Professional manufacturer – Equipment**

Twin Shaft Shredder, Quad Shaft Shredder, Powerful Crusher, Hammer-Mill to powder, Degumming & Separating machine for waste tire, Hammer-Mill, Extruding Automatic Recycle Crusher, Gravity Separator, Paralleled Blow Screener, Eddy Current, Vibrating Separator, Dust Collection Equipment, Other Equipment made by Customer requirements.

■ **Professional manufacturer – Whole Plant**

Municipal Solid Waste, Laminate Glass, Waste Glass, PCB (Components), Waste Wire & Cable, Waste Tires, Waste Wooden, Garbage, Electrical Control Box, Waste Plastics, Waste Hardware, Waste Battery, Other waste material for whole plant equipment

